



# A

## ONDOKUZ MAYIS UNIVERSITY INTERNATIONAL STUDENT EXAM

May 29, 2022

İNGİLİZCE

NAME	:	.....
SURNAME	:	.....
ID NUMBER	:	.....
SIGNATURE	:	SEAT NUMBER: .....

### IMPORTANT INFORMATION

- This booklet includes test questions for international students who wish to study in some Turkish universities.  
The number of questions are as follows:  

Mathematics	40
Basic Learning Skills	40
- This is an "A" type booklet. Please mark the type of your booklet on the answer sheet as shown below, and make sure it has been confirmed by the exam practor.  
**If you do not code the booklet type correctly on the answer sheet, your exam will be invalid.**
- You have **120 minutes** to complete the exam.
- Each question has only one correct answer. Multiple selections will be considered as incorrect.
- The answers to the questions given in the booklet should be marked by pencil on the answer sheet provided with this booklet. Please use a pencil. Do not fold the answer sheet and do not write anything which does not require.
- Inappropriate markings on the answer sheet will not be read by the optical reader. The candidate is responsible for the mistakes incurred by inappropriate markings.**
- Only correct answers will be calculated in this exam. You will not lose any points for the incorrect answers.
- Further information about the examination rules are printed on the back cover of this booklet.

#### TYPE OF THE QUESTION BOOKLET

A ●	B ○
PARAPH	PARAPH

All rights reserved. Copies, photographs, use or publication of the questions without the authorisation of Ondokuz Mayıs University is strictly forbidden. Those who do not comply with this prohibition must be aware that fines will be incurred upon them.



## MATHEMATICS

1.

3.

2. Let  $ab$  be a two digit number. What is the sum of the numbers  $ab$  satisfying  $ab = 4(a+b) + 6$ ?

A) 180

B) 170

C) 168

D) 160

E) 148

4.

5.

8.

6.

9.

7.

10.

12.

11.

13.

ONDOKUZ MAYIS UNIVERSITY  
YÖS 2022

14. Let  $\binom{15}{3n-1} = \binom{15}{2n+1}$ . What is the sum of distinct values of  $n$ ?

A) 1

B) 2

C) 3

D) 4

E) 5

16.

15.

17.

18.

20.

19.  $\log_3(1 - \log_2 x) = 2 \Rightarrow \log_x 64 = ?$

A)  $-\frac{3}{4}$

B)  $-\frac{2}{3}$

C) 1

D)  $\frac{2}{3}$

E)  $\frac{3}{4}$

21.

22.

23.

25.

24.

26.

ONDOKUZ MAYIS UNIVERSITY  
YÖS 2022



27.

29.

28.

30.

ONDOKUZ MAYIS UNIVERSITY  
YÖS 2022

31.

33.

32.

34.

ONDOKUZ MAYIS UNIVERSITY  
YÖS 2022

35.

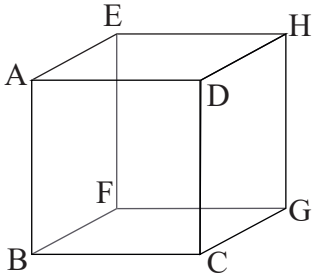
37.

36.

38.

ONDOKUZ MAYIS UNIVERSITY  
YÖS 2022

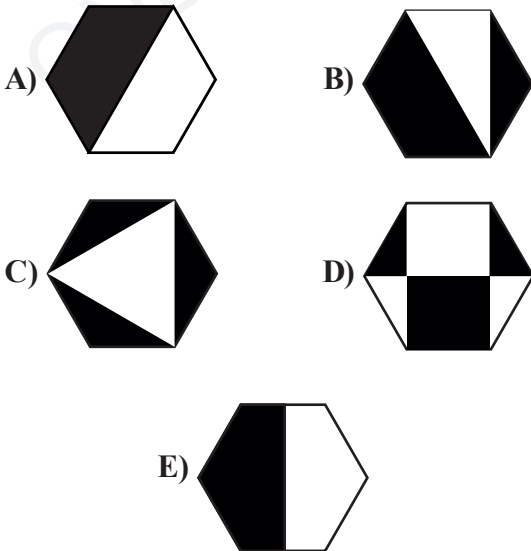
39.



Which one of the following line segments belonging to the cube above is different from the others?

- A) [AG]                  B) [BH]                  C) [FD]  
 D) [HF]                  E) [EC]

40. There are same hexagons below shaded differently. In which the sum of the shaded area is greater than others?



Mathematics Test is completed.

**BASIC LEARNING SKILLS**

1.

4.

2.

5.

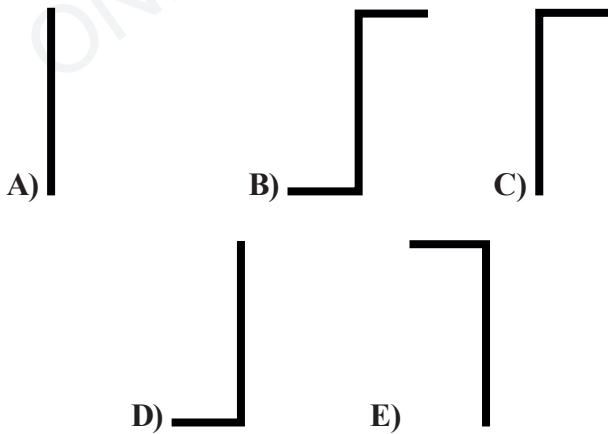
3.

6.

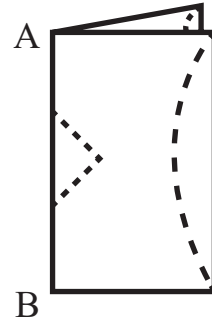
7.



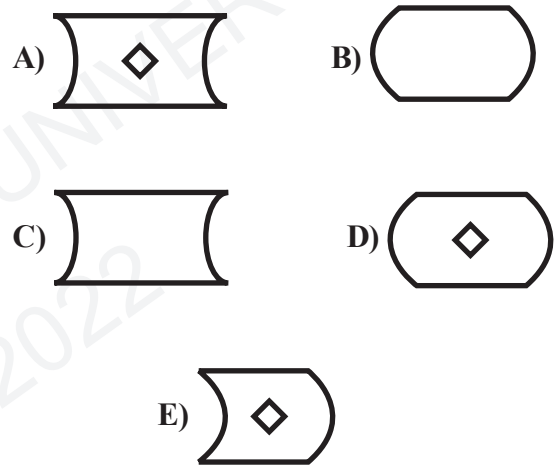
Which one of the following should be replaced by the question mark (?)?



9.



A piece of paper is folded in half about side AB. Cuts are then made along the dotted lines. Which of the following best represents the result when unfolded?



10.

11.

13.

12.

ONDOKUZ MAYIS UNIVERSITY  
YÖS 2022

14.

16.

15.

17.

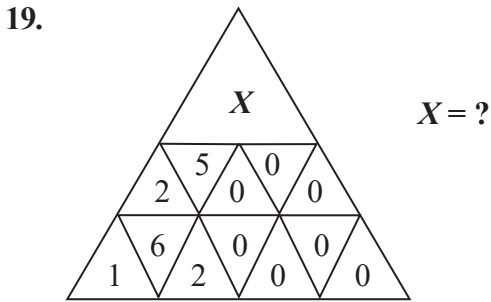
ONDOKUZ MAYIS UNIVERSITY  
YÖS 2022



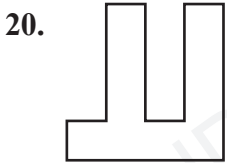
18. 15689  $\longrightarrow$  86951  
 87243  $\longrightarrow$  42378  
 51236  $\longrightarrow$  ?

Which one of the following should be replaced by the question mark (?)?

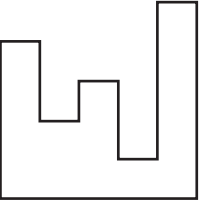
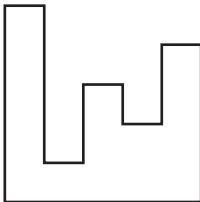
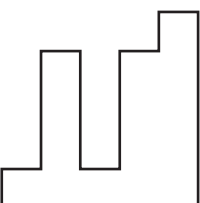
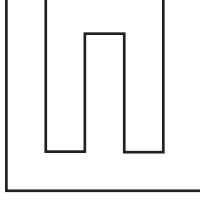
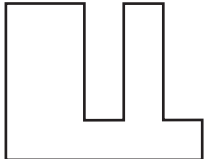
- A) 32651      B) 23615      C) 23651  
 D) 32165      E) 32615

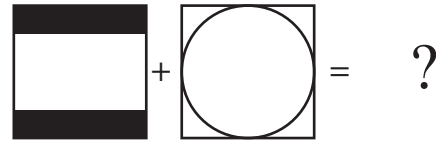
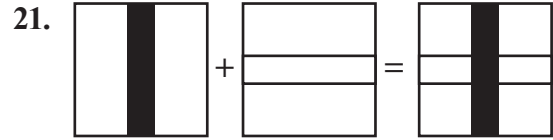


- A) 0      B) 1      C) 2      D) 5      E) 10

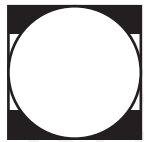
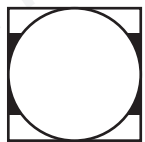
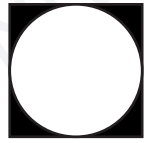

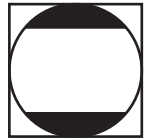


Which one of the following completes the figure above to a square?

- A)       B)   
 C)       D)   
 E) 



Which one of the following should be replaced by the question mark (?)?

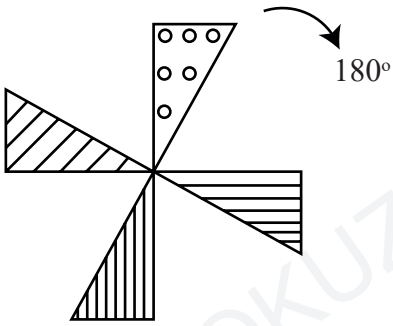
- A)       B)   
 C)       D)   
 E) 

22.

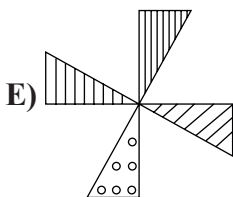
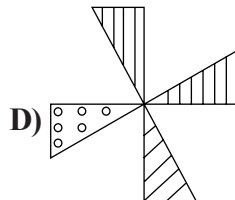
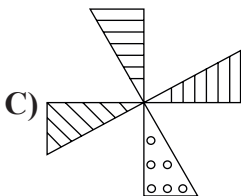
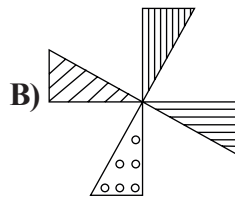
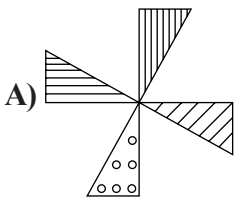
23.

25.

24.



Which one of the following is obtained when the figure above is rotated  $180^\circ$  in the direction of arrow?



26.

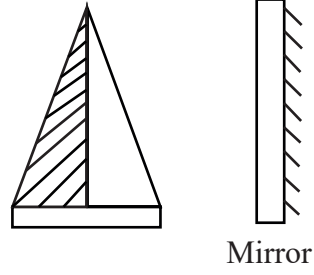
27.

28.

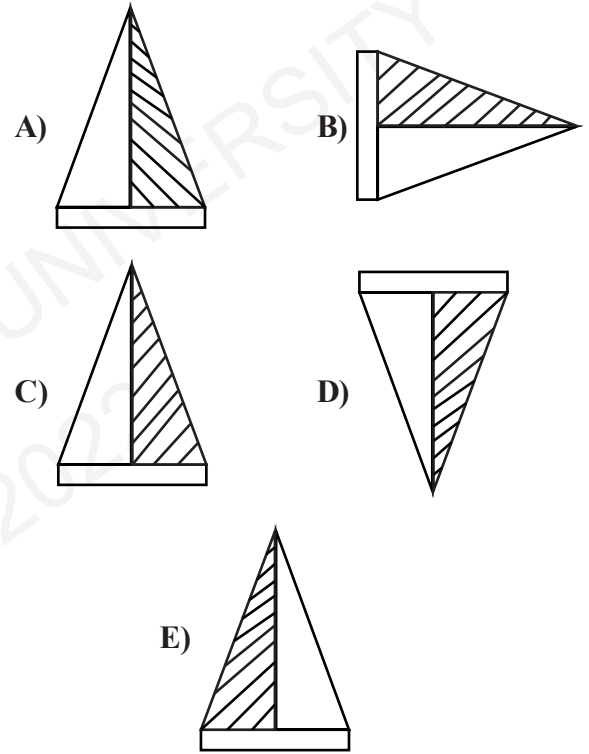
ONDOKUZ MAYIS UNIVERSITY  
YÖS 2022

29.

31.



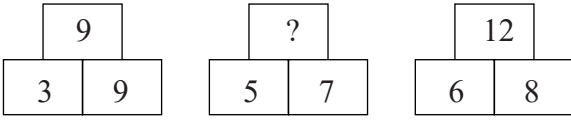
Which one of the following is the mirror view of the figure above?



30.

32.

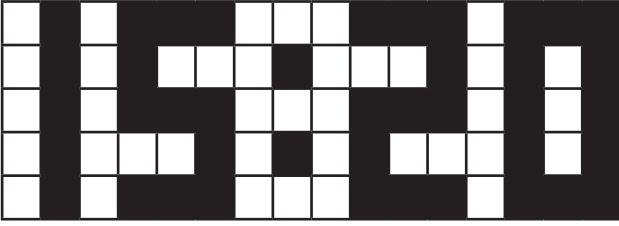
33.



Which one of the following should be replaced by the question mark (?)?

- A) 12    B) 11    C) 10    D) 9    E) 8

34.



The mirror view of a digital clock is given above. What is the real time?

- A) 02:51    B) 05:21    C) 15:20  
D) 15:40    E) 20:15

36.

35.

37.

38.

39.

40.

ONDOKUZ MAYIS UNIVERSITY  
YÖS 2022





# A

## EXAMINATION RULES

1. Following materials are prohibited in exam room: **Mobile phones** and any communication equipments e.g. pagers, walkie-talkies, PDA's, watches with any other functions, weapons, notebooks, books, dictionaries, any electronic device with dictionary function, calculators, calculation charts, compasses, goniometers, rulers and etc. If any candidate enters the exam room with the prohibited materials, his/her name will be recorded and their examinations will be considered invalid.

2. Duration of the exam is **120** minutes. Candidates are allowed to take the exam if they are not late for more than **30** minutes. Candidates are not allowed to leave the exam room in the first **60** minutes and the last **5** minutes of the examination. Candidates who completed the exam or left the examination room will not be allowed to re-enter the examination room. If you complete the exam before the end of the duration you can leave the room after submitting your question booklet and answer sheet. When the end of the examination is announced you must remain seated and may not leave the examination room until all papers are collected by the invigilators.

3. Communicating with the invigilators during the examination is prohibited. Similarly, it is prohibited for the staff to talk to candidates privately. Candidates are not allowed to exchange pencils, erasers, papers etc. during the exam.

4. The exam of any candidate who cheats, attempts to cheat or assists cheating will be considered invalid and his/her identity will be recorded. Invigilators do not have to warn the students about cheating. The candidate is responsible for his/her actions. Answers of the candidates will be examined electronically. If any suspicious case is detected regarding individual or collaborate cheating, the exams of all candidates who participate in this action will be considered invalid. If invigilators report any case of misconduct in the application of the exam or collaborate cheating, OMÜ-YÖS Coordinating Office may decide to consider all of the candidates' exams invalid for that room.

5. All candidates must obey the rules in the exam room. If necessary, your seat may be changed by invigilators. Obeying the rules is of utmost importance for validation of the exam. Identity of any candidate who engages in misconduct and does not heed the invigilator's warning to discontinue the behavior, will be recorded and his/her

examination will be considered invalid.

6. You must fill all the required fields on the answer sheet. Only pencils should be used for marking and writing on the answer sheet. Pens or ball point pens should not be used. All the answers should be marked on the answer sheet. Answers marked on the question booklet will be considered invalid.

7. Please check your question booklet for missing pages or typos after receiving it. If there are any missing pages or typos on your booklet, please immediately request for the change of the booklet from the head invigilator. You should also check if the booklet type written on the cover page is the same as the booklet type written on every page of the booklet. If you find any difference, please request a new booklet from the head invigilator. If you realise any difference about booklet types after you start the examination, request a new booklet of the same type you have answered. Please mark your booklet type on the "Question Booklet Type" area on the answer sheet. Booklet type you have marked will be checked by the invigilators and initialed with a pen. If the related area is not initialed, your answer sheet will not be evaluated. If there is difference between the booklet types that you have marked and the invigilator has marked, evaluation will be based on the one that is marked by invigilators.

8. Please write your name, surname and candidate number on the question booklet before starting to answer the questions. All the question booklets and answer sheets will be collected and examined at the end of the examination. In case of missing pages, examination of the related candidate will be considered invalid.

9. You can use the spaces on the question booklet for calculation.

10. Smoking (cigarettes, pipes, cigars etc.) is not allowed during the examination for both candidates and the staff.

11. Writing the questions and/or the answers and taking it out is strictly prohibited.

12. Do not forget to submit your question booklet and answer sheet before leaving the exam room.